

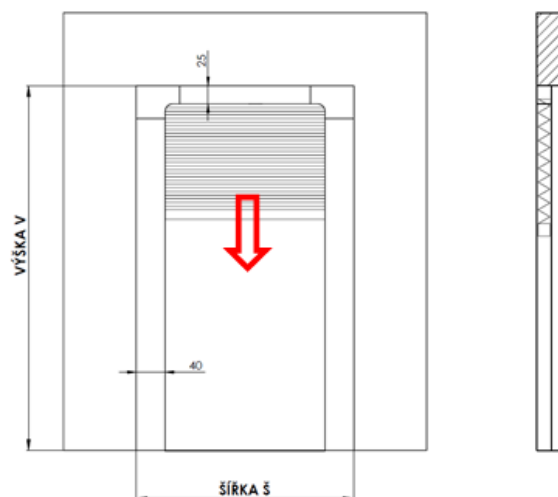
PS4 V PLEATED INSECT SCREEN

1. MEASUREMENT

1.1. Measurement for reveal

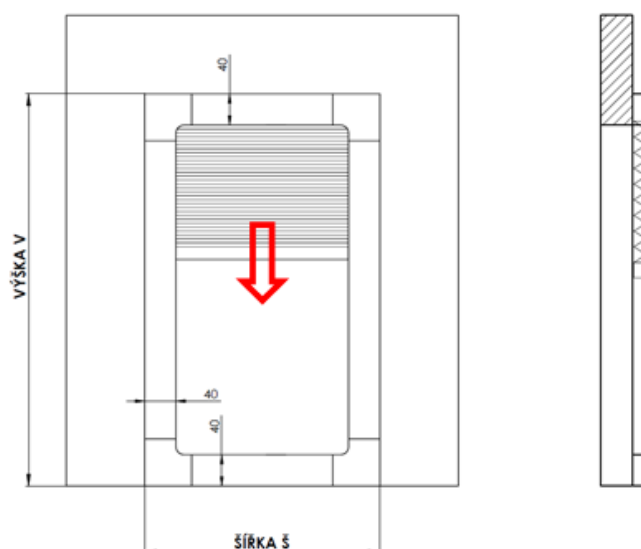
Measure the width and height of the opening to which the screen is to be inserted. Measure in three places, record the smallest measurement.

VÝŠKA V – HEIGHT H
ŠÍŘKA Š – WIDTH W



2.1. Measurement for frame

Measure the outer dimensions of the screen.

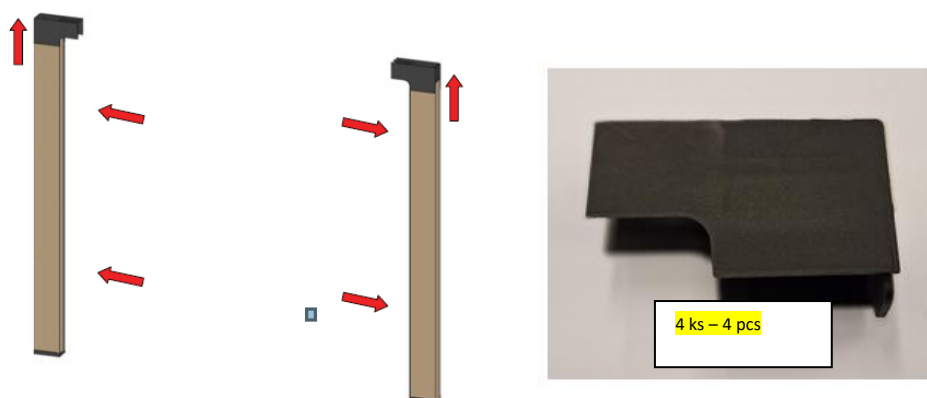


2. INSTALLATION

2.1. INSTALLATION TO REVEAL

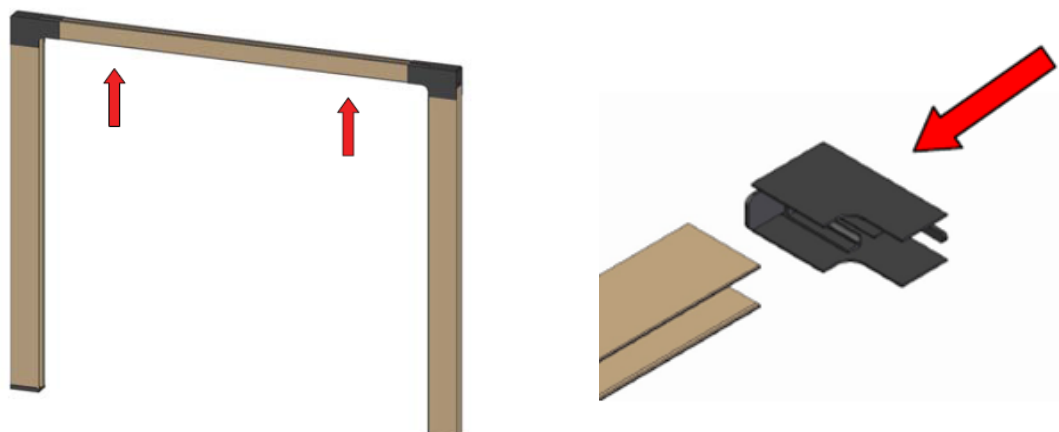
2.1.1. Inserting the frames

Remove the protective film and fasten the side guide profiles. Adjust any deviations from the square shape of the screen by moving the plastic corner pieces.

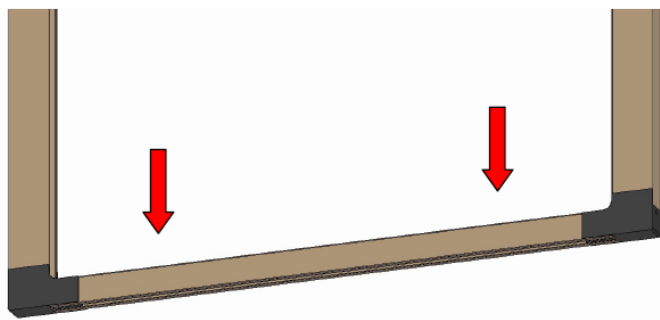


2.1.2. Fastening the upper kit profile and the lower magnet profile

Insert the upper starting profile to the respective corner pieces. Drill holes necessary for fastening the upper profile (both holes should correspond to the holes in the profile). Fasten with the screws supplied.

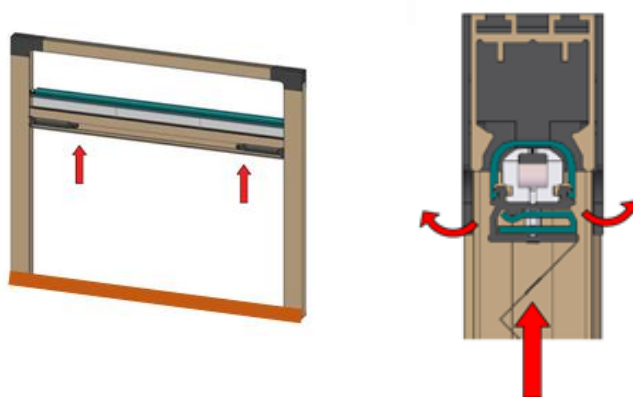


Insert the lower magnet profile in the respective plastic corner pieces. Drill holes necessary for fastening the lower profile (the holes should correspond to the holes in the profile). Fasten with the screws supplied.

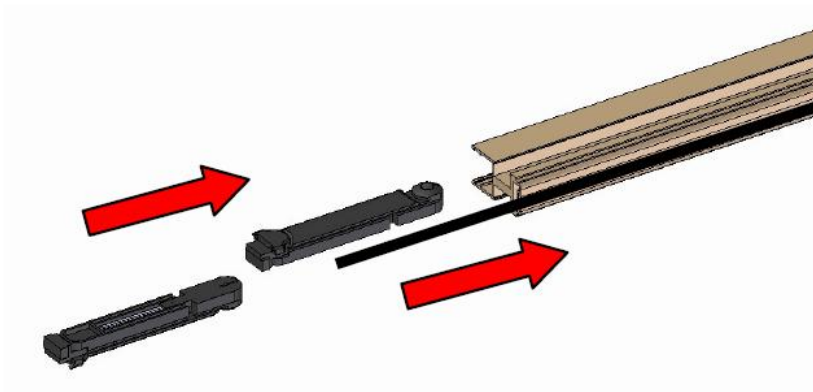


2.1.3. Inserting and fastening the KIT insert screen

Insert the packet with the KIT screen in the profiles. Move the packet with the screen towards the upper starting profile. Insert the packet with the screen to the upper profile, until it fits to its desired place (all the way).

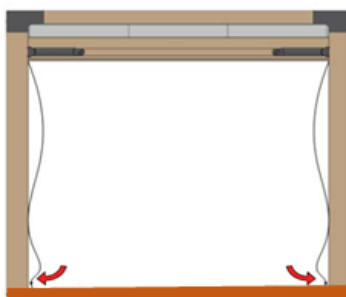


If you want to use the side adjusting – guiding slider, install them in the moving rail. If the opening is straight, rectangular, you do not need to use them.



2.1.4. Inserting the magnet profile and cord tensioning

Guide the left and right sliders in the horizontal lower magnet profile, in the dedicated groove. Insert the left and right cord guides. Push the prepared magnet profile in the lower side profile, until it fits to its desired place.

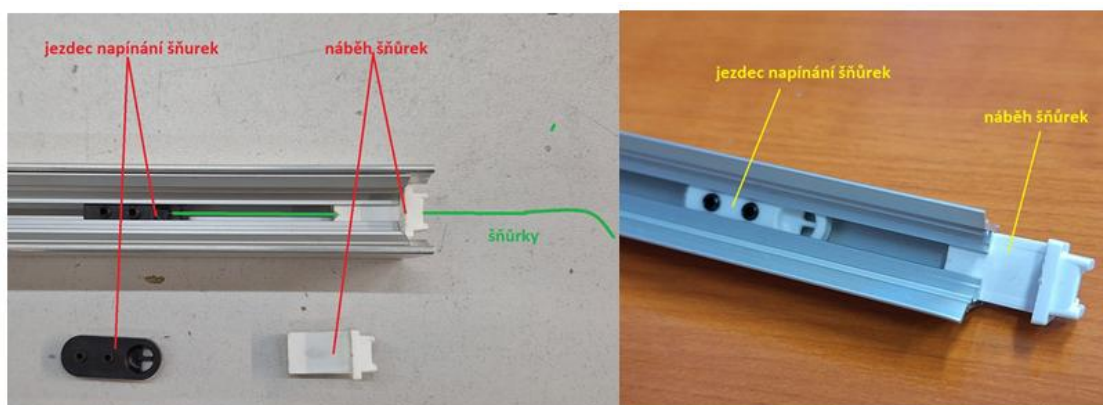


2.1.5. Adjusting the tension cords

Adjust the cord tension by moving the **right** adjusting slider. Check the screen cord tensioning, shut and open the screen several times, fine-adjust the cord tensioning, if needed, by moving the right or left adjusting slider.

Adjust the cord tension by moving the **left** adjusting slider. Check the screen cord tensioning, shut and open the screen several times, fine-adjust the cord tensioning, if needed, by moving the left or right adjusting slider.

The best procedure is as follows: one operator completely pushes the screen to the upper end position and holds the right and left parts of the screen, while the other operator uses the tightening sliders to tighten the screen in the lower magnet profile.



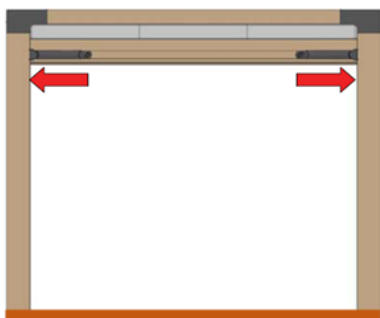
jezdec napínání šňůrek – cord tensioning slider

náběh šňůrek – cord guide

šňůrky – cords

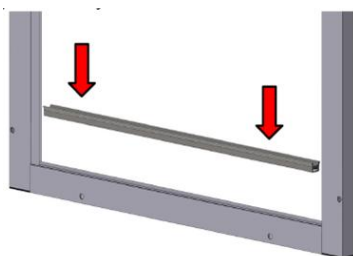
2.1.6. Plastic parts with springs

Move the plastic parts with springs in the kit profile towards the side guide profiles. Slightly push the plastic part towards the vertical profiles and fasten with screws. The plastic part must be elastic.



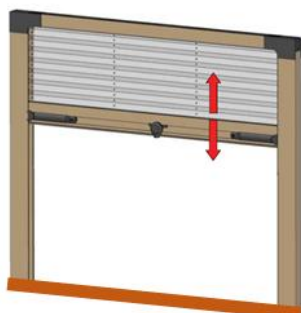
2.1.7. Inserting the magnet

Check the correct polarity of the magnet. Insert the magnet in the lower profile by pushing it from one side to the other.



2.1.8. Testing the insect screen

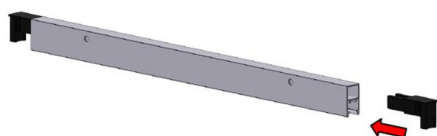
Check the correct travel of the screen.



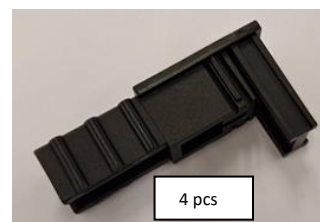
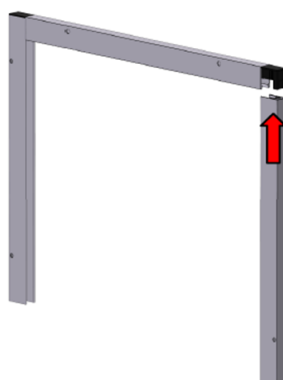
2.2. INSTALLATION TO FRAME

2.2.1. Assembling the frame

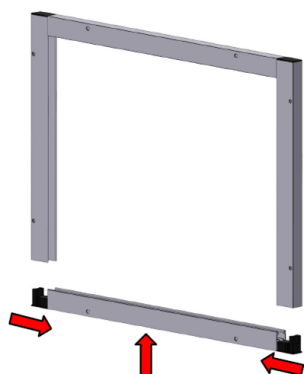
Fit the corners to the screen's upper profile.



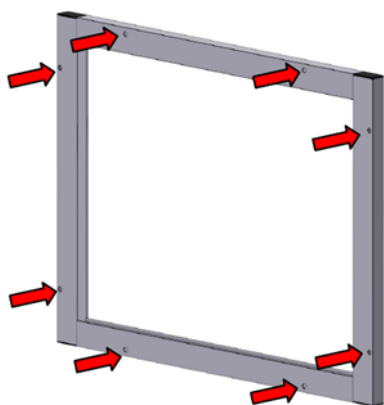
Fit the vertical profiles to the upper profile corners.



Assemble the complete frame.

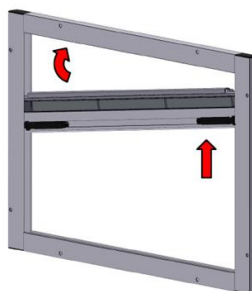


2.2.2. Positioning and bolting the frame in place



2.2.3. Inserting and fastening the insect screen kit

Insert the packet with the KIT screen in the profiles. Move the packet with the screen towards the upper starting profile. Insert the packet with the screen to the upper profile, until it fits to its desired place (all the way).

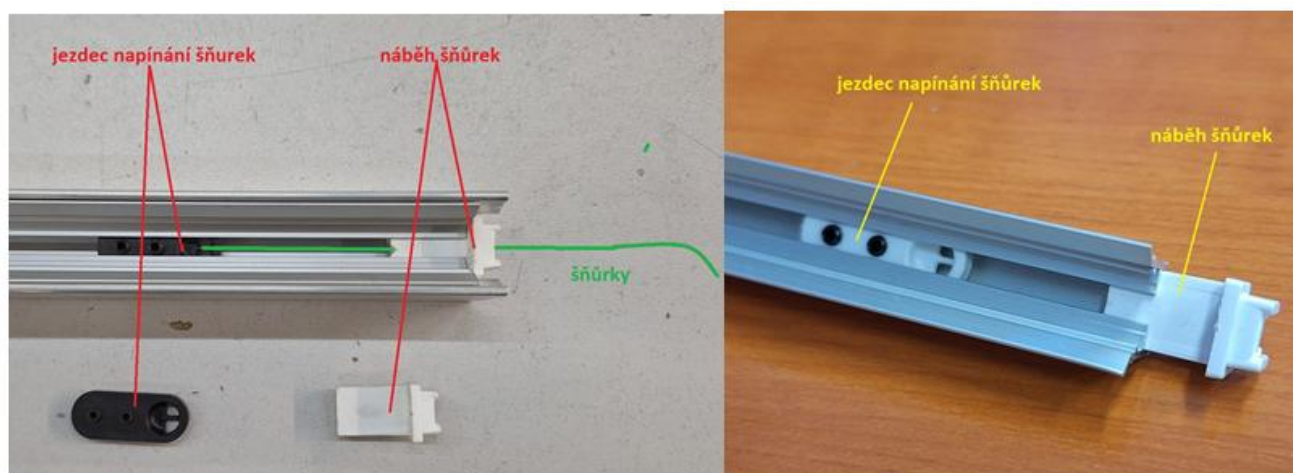


2.2.4. Adjusting the cord

Adjust the cord tension by moving the **right** adjusting slider. Check the screen cord tensioning, shut and open the screen several times, fine-adjust the cord tensioning, if needed, by moving the right or left adjusting slider.

Adjust the cord tension by moving the **left** adjusting slider. Check the screen cord tensioning, shut and open the screen several times, fine-adjust the cord tensioning, if needed, by moving the left or right adjusting slider.

The best procedure is as follows: one operator completely pushes the screen to the upper end position and holds the right and left parts of the screen, while the other operator uses the tightening sliders to tighten the screen in the lower magnet profile.



jezdec napínání šňůrek – cord tensioning slider

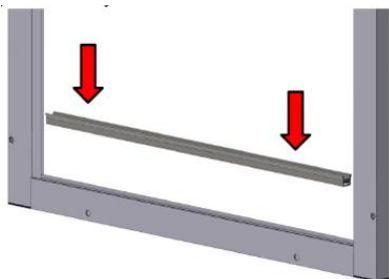
náběh šňůrek – cord guide

šňůrky – cords

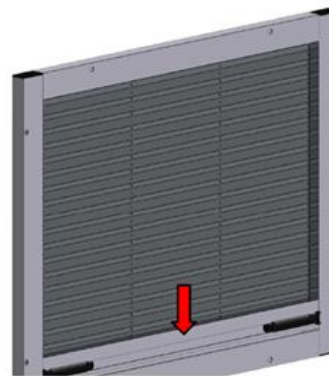
2.2.5. Inserting the magnet

Check the correct polarity of the magnet.

Insert the magnet in the lower profile by pushing it from one side to the other.



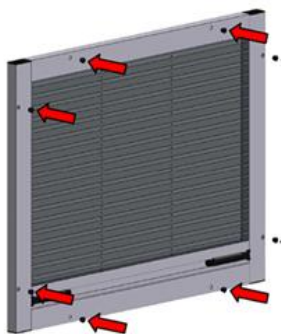
2.2.6. Testing the insect screen



Check the correct travel of the screen.

2.2.7. Fitting the blanks

Fit the blanks to the holes in the frame.



2.2.8. Plastic parts with springs

Move the plastic parts with springs in the kit profile towards the side guide profiles. Slightly push the plastic part towards the vertical profiles and fasten with screws.

The plastic part must be elastic.

